



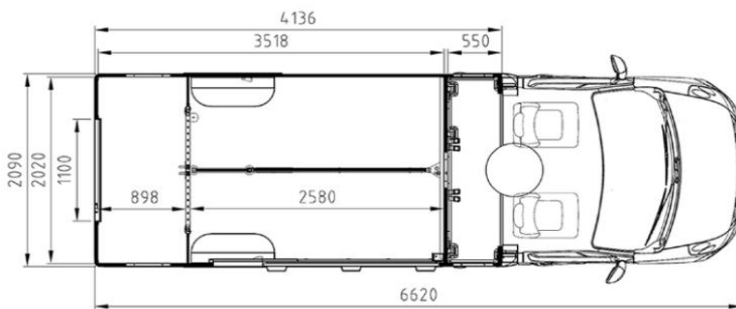
Seeing the world through horses' eyes

# PARAGAN HORSEBOXES



Order no. **24K052**  
VIN No: **VF1VA000873073577**  
Color: **J5505 GOLD**

## **C** Model: **EXCELSION 5XL** **FREE STAND**



### PLATFORM

Renault Master - Motor 2,3 dCi 165 HP, manual gearbox

PRICE WEIGHT (KG)

2 539,0

### STANDARD CONFIGURATION

Driver and front passenger airbag, driver's side airbag,, ABS, EBV, ESP, ASR, Adhesive kit for flat tire repair, Front door electric windows, Door locking function when starting, Immobilizer, Central locking system with remote control in car's key, Uphill start assistant, System Start & Stop, 20 liters AdBlue plastic tank, 80 liters fuel tank, Fabric seat upholstery, Height and reach adjustable driver's seat with armrest and lumbar support, Separate passenger seat with lumbar support, Manual air-conditioning including pollen filter, Cruise control + speed limiter, Day lighting LED, Fog lights, **Multimedia and navigation system Media Nav 4. 0 DAB**, Map coverage of Central and Eastern Europe, USB, 4 wheel mud flaps, 2 electrically operated mirrors with heating and integrated turn signal lights, Pull-out glove box 10,5 l, Air-conditioned storage box, Central storage with induction charger, Automatic wipers with rain sensor, Mandatory vehicle equipment.

Comfort: Sleeping space for up to 4 people, Upholstered cabin with hooks, Extra cabin light, USB charger, Storage space under the bench in cabin, 2 fixed windows next to the bench, One key body locking, Rear spoiler with breaking light and two position lights, Middle side flap, Cleaning hole in horse area and saddle area, 4 rings in saddle area. Horse area ventilation: Sliding windows, Roof hatch 2x, 12V Roof ventilator with day and night blue LED light (drivers' cabin operated), Thermometer with temperature indicator in drivers' cabin. Horses' safety: Free stand (two emergency doors with separated grill opening, high head partition), Loading light above horses, 4 tie rings in horse area, Anti-skid rubber on ramp, Mossy rubber floor (lightweight), Reinforced kick walls, Reinforced safety wheel covers, Sliding and removable partition between horses, Padding on walls, Partition with legs protection and padding, Safety chain, safety stickers in horse area, safety sign HORSES in front and back of horsebox.

### HORSE AREA

PRICE WEIGHT (KG)

#### OPTIONS

##### Windows

- |     |  |     |
|-----|--|-----|
| W01 | Sliding window on left side of superstructure 800x300  | 3,3 |
| W02 | Sliding window with bars between cabin and horse space | 2,7 |

##### Facilities

*undefined - possibility to add options of your choice*

##### Saddle Area

- |     |   |     |
|-----|---|-----|
| SA2 | Rear door equipment - Bridle holder, 2 pcs + mirror | 2,0 |
|-----|---|-----|

##### Comfort

- |     |   |     |
|-----|---|-----|
| C02 | Door under the bench, 1 pc  | 2,0 |
| C04 | Camera system: LCD monitor + reversing camera + surveillance camera | 6,5 |

##### Rear Lights

- |     |                       |      |
|-----|-----------------------|------|
| RL2 | Rear LED lights SHAPE | -0,4 |
|-----|-----------------------|------|

Proposal date: 05.09.2024

**DESIGN****Paintwork**P01 Whole car painting - color card (incl. plastic parts) - **GOLD**

18,0

**Wheels**

WH2 AL wheels gloss black, 4 pcs

-12,0

**Cabin**SE1 Leather seats upholstery - **Dakota Black**

2,0

Color: **Black**Stitching no.: **265**Type of stitching: **Basic****TOTAL****75 244 EUR****2 563***Customer Signature:*